

Rinnai

Hot water solutions

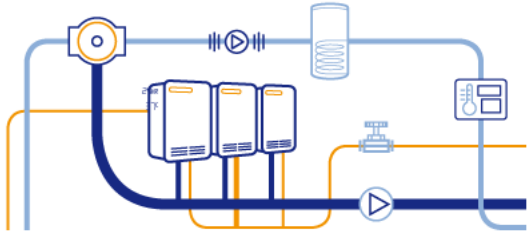
55i Water Heater Ancillaries


Rinnai Code & Description

AWF50-01	Horizontal Flue kit	
AWF50-07	Vertical Flue Kit	
AWF50-05	500mm Flue Extension (Can be cut to required length)	
AWF50-06	1000mm Flue Extension	
AWF50-03	90° Flue Elbow Male/Female	
AWF50-02	(1 Pair) 2 off 45° Flue Elbows Male/Female	
AWV-ISOLATION	Isolation Pack- Shut off Valves	



AWF50-14	Siphon Pack for Condensate Trap	
AWF50-10	Roof/Attic Pipe clamp	
AWF50-12	Stand-off Pipe Clamp	
AWF50-08	Flat Roof Flashing Plate	
AWF50-17	5-25° Pitched Roof Flashing	
AWF50-11	25-45° Pitched Roof Flashing	
AWF50-18	35-55° Pitched Roof Flashing	
AWG-02	Water Heater Terminal Guard	



AWCONT-04	Compact Controller	
AWEZC-01	Ez Connect cable Electronic sequencing for 2 x heaters	